

## KE Sink 30" x 18" – F/M



Kitchen Sinks

Code: 2157 063

AISI 304 Stainless steel  
Foster brushed  
Flush-mount



### DETAILS

Edge/Installation Type Flush-mount | Top-mount

Finish Foster brushed

**Series** KE

Texture Foster brushed

Material AISI 304 stainless steel

Thickness 18 Gauge (1.2 mm)

Overall dimensions 29 <sup>1</sup>/<sub>2</sub>" x 17 <sup>5</sup>/<sub>16</sub>"

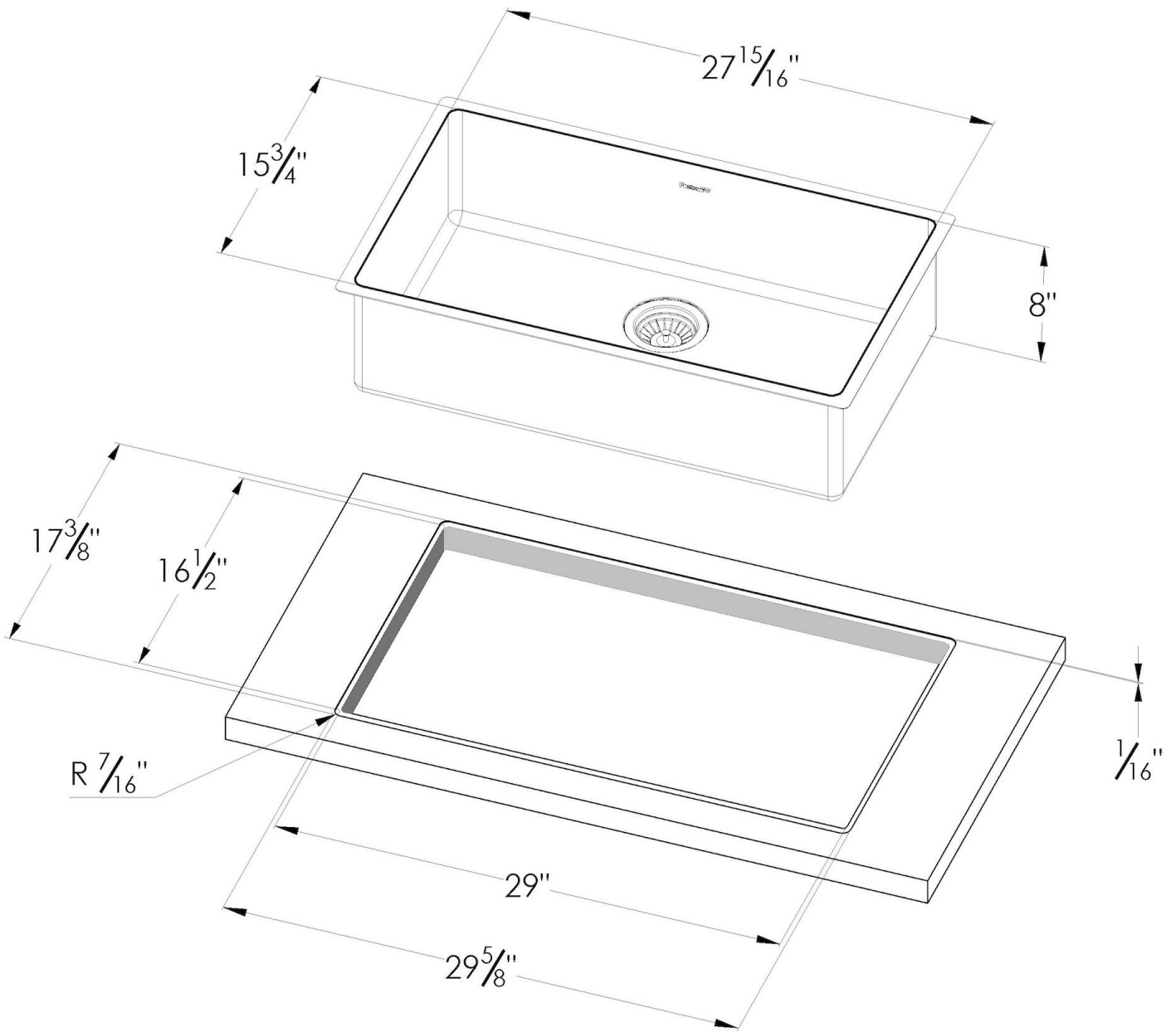
Bowl dimension 1 bowl 27 <sup>15</sup>/<sub>16</sub>" x 15 <sup>3</sup>/<sub>4</sub>"

Bowls depth	8"
Flush-mount cut-out	See cut-out drawing
Overmount cut-out	29" x 16 1/2"
Waste fitting type	3 1/2" - with stainless steel basket
Underside	Protected with heavy duty undercoating

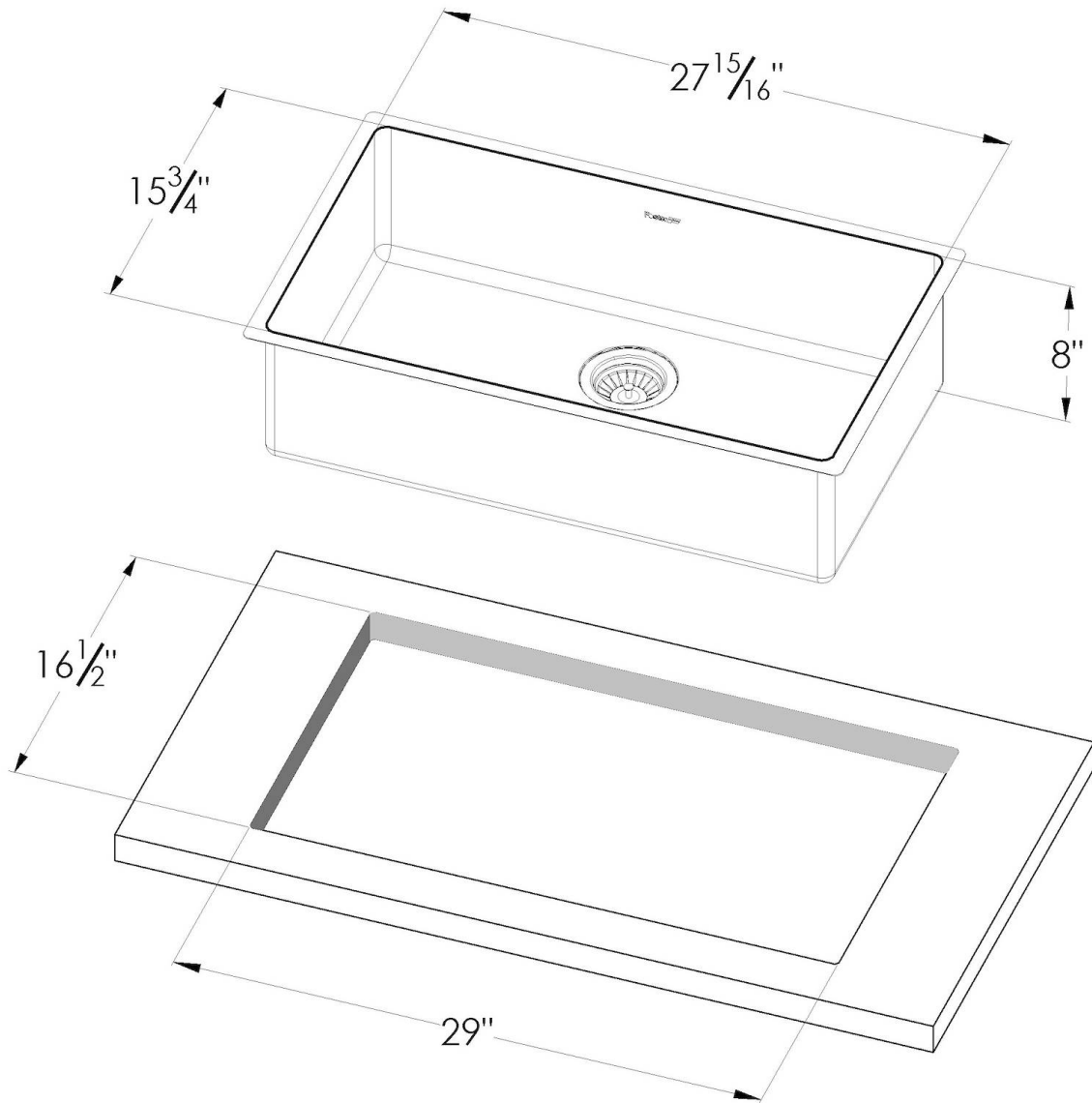
## FEATURES

Basket 3,5" waste fitting	The drain is equipped with a large 3.5" drain, with the practical basket cap that prevents the discharge of solid parts.
High thickness 1.2	1.2 mm thick steel. A significant thickness, which guarantees the maximum sturdiness and durability.
Small radius	Bowls with squared shapes with a modern design and an increased capacity, for a minimal aesthetics connected with an extreme practicality.

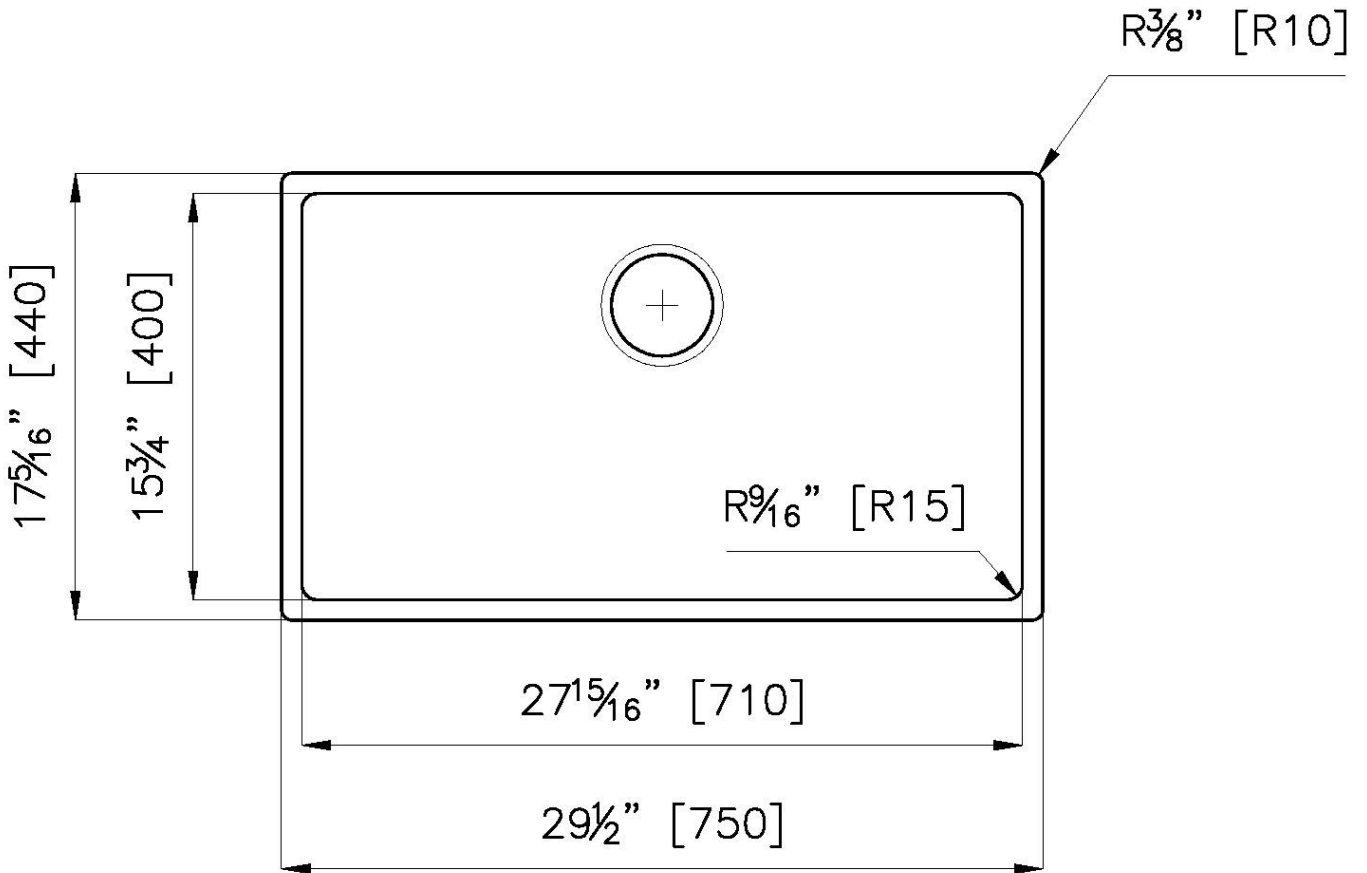
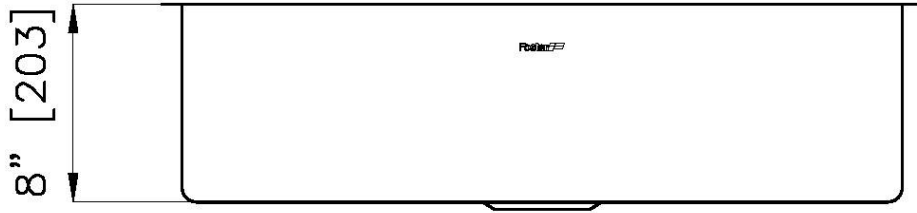
## TECHNICAL DATA



Flush-mount installation - FT



Installation on top of worktop - SPT



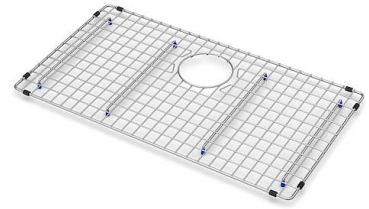
## OPTIONAL ACCESSORIES



**Chopping Board**  
8631 300



**Grating kit complete with ring support and food collection tray**  
8159 101  
\* only in combination with the accessory  
8644 101



**Grid**  
8100 404



**Griglia Black**  
8100 653



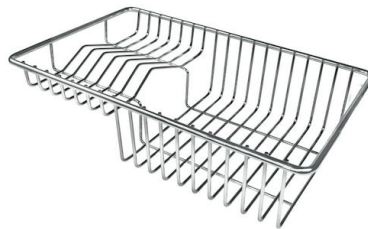
**HDPE Chopping board**  
8657 001



**HDPE Chopping board GREY**  
8657 002



**Iroko-wood sliding chopping board with stainless steel colander**  
8644 044



**Stainless Steel dishes holder**  
8100 303  
\* only in combination with the accessory  
8644 101



**Stainless steel perforated pan**  
8151 000  
\* only in combination with the accessory  
8644 101



**Twin Chopping Board**  
8644 101



**Waste disposer throat**  
8669 043

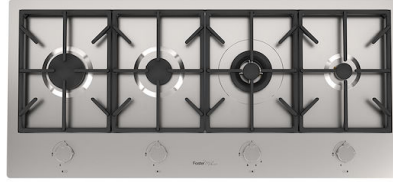


**White bowl**  
8153 100

## RECOMMENDED PAIRINGS



**Faucet Ponza**  
8497 025



**Milano Cooktop 4 burners inLine**  
7640 900